

AHELPER SPRAYER

Technical Data

Pek Automotive

D I M E N S I O N S

Height	1750 mm
Length	3840 mm
Width	1245 mm
Weight	1400 kg
Working slopes	Up to 38°

E L E C T R I C S Y S T E M

Battery	48 V (LiFePO)
Battery Capacity	28.7 kWh
Working hours between charging	8 - 12 h *depending on the type of operation
Time of charging	8 -10 h

D R I V E

Minimum speed	0.5 km/h
Maximum speed	4 km/h
Maximum power	10 kW

E Q U I P M E N T

Intellectual
Fully electric
Self - controlling

CONTROL

Onboard

Computer

Remote

Remote Controller

Autonomous control

Navigation System

SAFETY SYSTEM

Type

Electromechanical

Additional feature

Collision avoidance system based on radiowave scanners

CATERPILLARS

Type

200x72x44

GEARBOX

2 stage: 1 chain, 1 worm gearbox unit

BRAKE SYSTEM

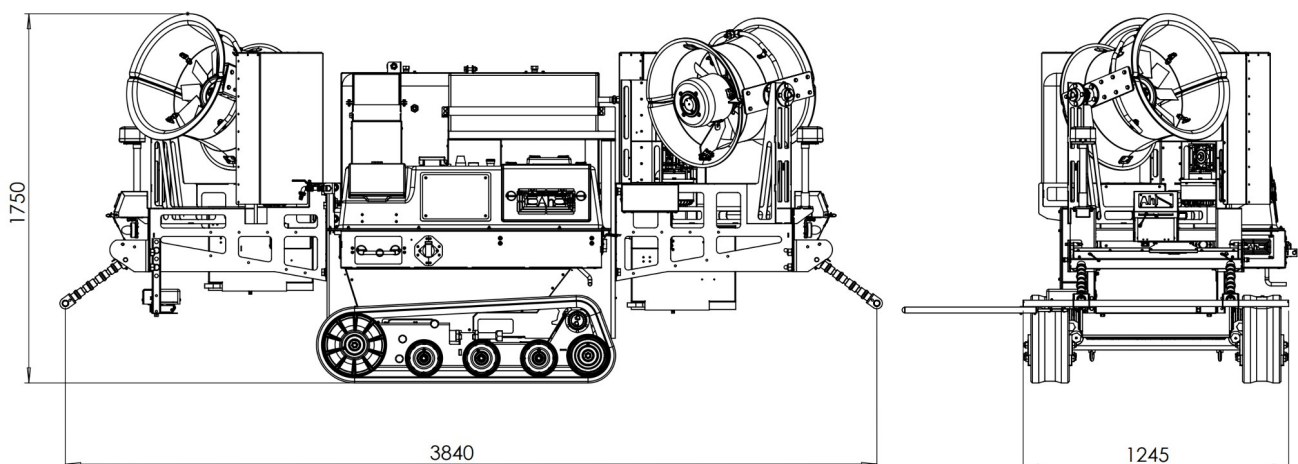
Type

Band brake (air release)

FEATURES

True-autonomous (no need GNSS)

High resolution touch sensor



AHELPER GF

Technical Data

Pek Automotive

D I M E N S I O N S

Height	1760 mm
Length	3960 mm
Width	1245 mm
Weight	1800 kg
Working slopes	Up to 38°

E L E C T R I C S Y S T E M

Battery	48 V (LiFePO)
Battery Capacity	28.7 kWh
Working hours between charging	8 - 12 h *depending on the type of operation
Time of charging	8 -10 h

D R I V E

Minimum speed	0.5 km/h
Maximum speed	4 km/h
Maximum power	10 kW

E Q U I P M E N T

Intellectual

Fully electric

Self - controlling

CONTROL

Onboard

Computer

Remote

Remote Controller

Autonomous control

Navigation System

SAFETY SYSTEM

Type

Electromechanical

Additional feature

Collision avoidance system based on radiowave scanners

CATERPILLARS

Type

200x72x44

GEARBOX

2 stage: 1 chain, 1 worm gearbox unit

BRAKE SYSTEM

Type

Band brake (air release)

FEATURES

True-autonomous (no need GNSS)

High resolution touch sensor

